

The RE-1K / RE-2K enables electrical equipment to be remotely controlled by means of radio transmitters (remote keys). The RE-1K is a single-channel controller, the RE-2K - a double-channel one. Both types of remote control sets can work with up to 16 remote keys. **The RE-1K / RE-2K only support SATEL-manufactured remote keys.**

The design is based on the components of Microchip Technology Inc. which use the KEELOQ[®] code-hopping technology for transmission between the transmitter and the receiver. It ensures both security of use and resistance to spurious control signals coming from other devices.

1 Description of electronics board

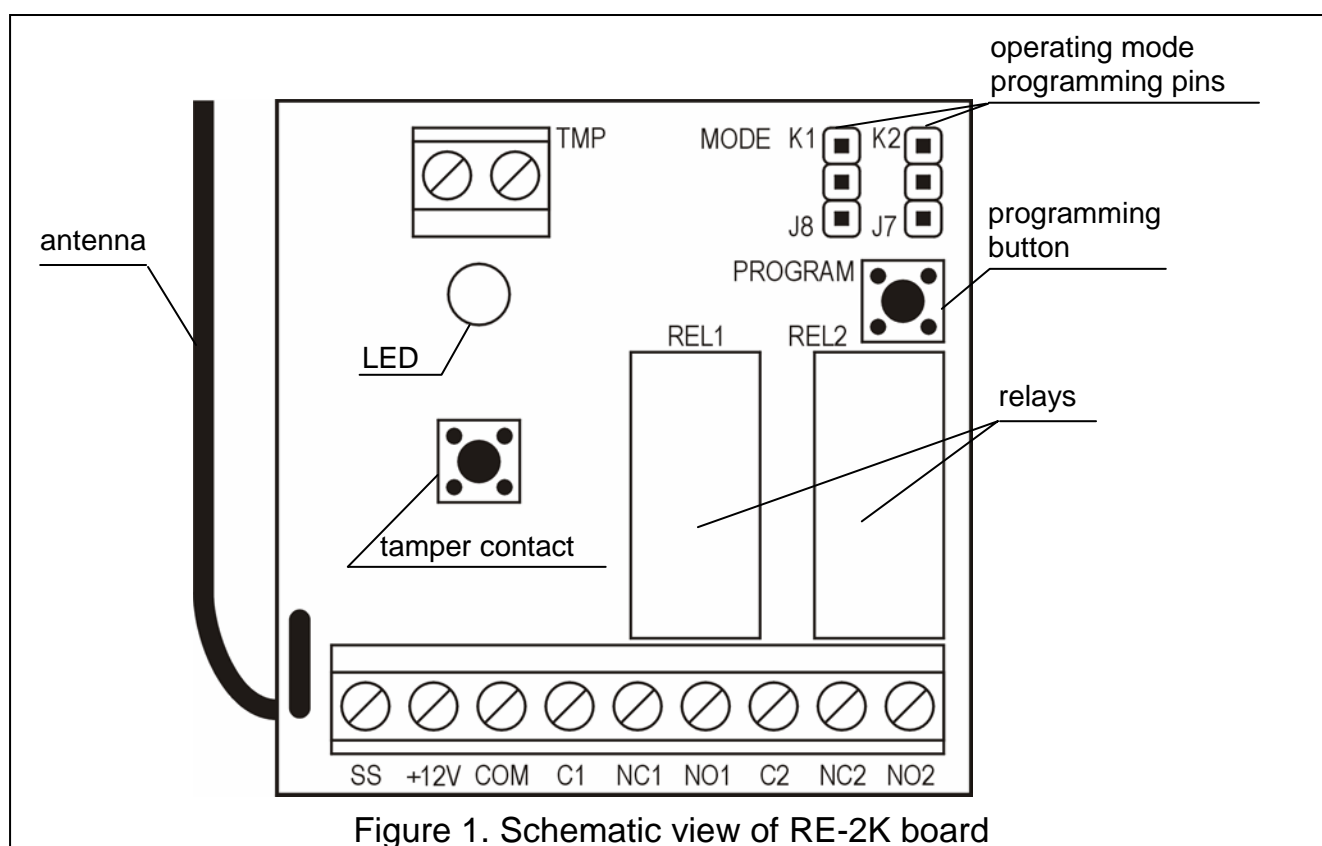


Figure 1. Schematic view of RE-2K board

As just one relay is installed on the electronics board of the RE-1 controller, the board has neither the K2 pins or the second relay terminals.

Description of terminals:

- SS** – siren control output (OC);
- +12V** – power supply input (direct voltage from 9V to 16V);
- COM** – common (ground);
- C1** – common terminal, channel 1 relay;
- NC1** – normally closed terminal, channel 1 relay;
- NO1** – normally open terminal, channel 1 relay;

- C2** – common terminal, channel 2 relay (RE-2K only);
- NC2** – normally closed terminal, channel 2 relay (RE-2K only);
- NO2** – normally open terminal, channel 2 relay (RE-2K only);
- TMP** – tamper contact terminals.

The two-color **LED** indicates the module operating status and facilitates programming of the receiver parameters:

- green light – normal operating mode;
- red light – receiving signal from remote key in normal operating mode;
- green blinking light – waiting for the first press of the remote key button when entering new remote key into the receiver memory;
- red blinking light
 - when entering new remote key into the receiver memory – waiting for the second press of the remote key button;
 - after the programming button is held down for at least 7 seconds – clearing the receiver memory;
 - after pressing the remote key button normal operating mode - the remote key battery is exhausted;
- alternately blinking red and green – programming the monostable relay ON time.

The programming button allows:

- entering remote keys into the receiver memory;
- programming the monostable relay changeover time;
- clearing the receiver memory.

The J8 pins are used to set the operating mode of the first channel relay (K1). **The J7 pins** (RE-2K only) are intended for setting the second channel relay (K2) operating mode.

The SS output is OC type output, i.e. it is shorted to ground when active. The output will signal operation of the relay in pulse and monostable modes, as well as changeover of the relay in bistable mode. The signaling is effected in the form of three pulses with duration of 0.16s each. The SS output can be used e.g. to control a siren. Permissible current-carrying capacity of the SS output is 500mA.

2 Installation

The RE-1K and RE-2K are mounted in a plastic housing. When closing the housing, be particularly careful so that the programming button is not pressed in by the cables.

It is recommended that the manufacturer specified batteries be used in the remote keys. The battery status must be periodically checked (e.g. by noting how the LED on the receiver board lights when the remote key button is being pressed) and, if necessary, the used batteries must be replaced by new ones.

Notes:

- *Do not discard the used batteries. They should be disposed of as required by the existing regulations (European Union Directives 91/157/EEC and 93/86/EEC).*
- *Making any construction changes or unauthorized repairs is prohibited. This applies, in particular, to modification of assemblies and components.*

3 Programming

3.1 Adding remote keys

To enter remote keys into the receiver memory follow the procedure below:

1. Press the programming button – the LED starts blinking green.
2. Press any button on the remote key – the LED starts blinking red.
3. Press the remote key button again – the LED light changes to steady green. The remote key has been entered into the memory.

Note: *If the memory is already full or the remote key is incorrect (from another manufacturer), the receiver will return to its normal status after the first press of the remote key button.*




The remote key buttons are automatically assigned to the relay which can be controlled by them.

3.2 Removing remote keys

Removal of the remote key from the receiver memory is only possible by fully clearing the memory. To do so, press and hold down the programming button for approx. 7 seconds – the LED will start blinking red, thus indicating that the memory has been cleared (and the factory setting of monostable changeover time restored). When the LED starts again steadily lighting green, the receiver is ready for programming new remote keys.

3.3 Programming the relay operating mode

The relay can work in one of the three modes, depending on how the jumpers are set on pins:

-  - pins open - **bistable mode** – each press of the remote key button will change the relay status to the opposite one.
-  - the jumper set on the two lower pins - **pulse mode** – the relay is switched on for the time when remote key button is pressed.
-  - the jumper set on the two upper pins - **monostable mode** – the relay is switched on for a preset time.

Note: *The monostable ON time is running not from the moment when the button is pressed, but from when it is released.*


By default, the monostable ON time is preprogrammed at 5 seconds. This value can be changed by the user and set within the range **from 1 to approx. 250 seconds** by means of the following procedure:

1. Press the programming button twice – the LED will go out.
2. Press the remote key button assigned to the channel and relay the time of which is being programmed – the LED will start blinking alternately green and red.
3. Having measured off the required time, press the remote key button again - the LED will start steadily lighting green.

4 Technical data

Range in open area	up 100m
..... (an obstacle between the transmitter and the receiver will reduce the device operating range)	
Number of controlled outputs	1 (RE-1K) / 2 (RE-2K)
Supply voltage, rated	12V DC
Current consumption, minimum	approx. 16mA
Current consumption, maximum	approx. 40mA (RE-1K) / 60mA (RE-2K)
Adjustment range of changeover time in monostable mode	1 to 250s
Current-carrying capacity of relay contacts at voltage of 24V DC	2A
Current-carrying capacity of SS (OC) output	500mA
Operating frequency range	433.05 ÷ 434.79MHz
Operating temperature range, receiver	0 to +55°C
Operating temperature range, transmitter (remote key)	-20 to +55°C
Housing dimensions	72x118x24mm
Type of remote key battery	23A 12V

DECLARATION OF CONFORMITY

Product: RE-1K – remote control set RE-2K – remote control set		Manufacturer: SATEL sp. z o.o. ul. Schuberta 79 80-172 Gdańsk, POLAND tel. (+48 58) 320-94-00 fax. (+48 58) 320-94-01		
Product description: A remote control set with coded transmission, having 1 (2) controlled outputs, operating in frequency band 433.05MHz – 434.79MHz. The set includes a +12V DC supplied receiver and battery supplied remote key (transmitters), type T-2. The device enables low-voltage equipment to be controlled, including alarm control panels.				
This product conforms to the following EU Directives: R&TTE 1999/5/EC				
This product meets the requirements of harmonized standards: R&TTE: EN 300 220-1: v.1.3.1; EN 300 220-3: v.1.1.1; EMC: EN 301 489-1: v.1.4.; EN 301 489-3: v.1.4.1 LVD: EN60950-1:2001				
Notified body taking part in conformity evaluation: Gdańsk, Poland 2005-08-12		Identification No.: 1471 Head of Test Laboratory: Michał Konarski		